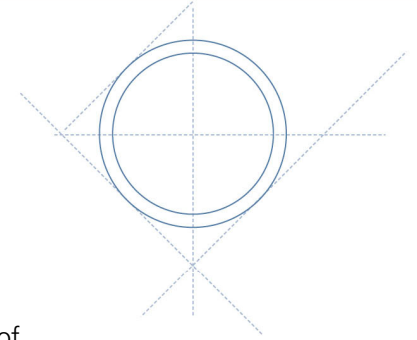


## EMCO Classical Venturi Tube Machined, Type KVR with Weld ends or Flange Connection

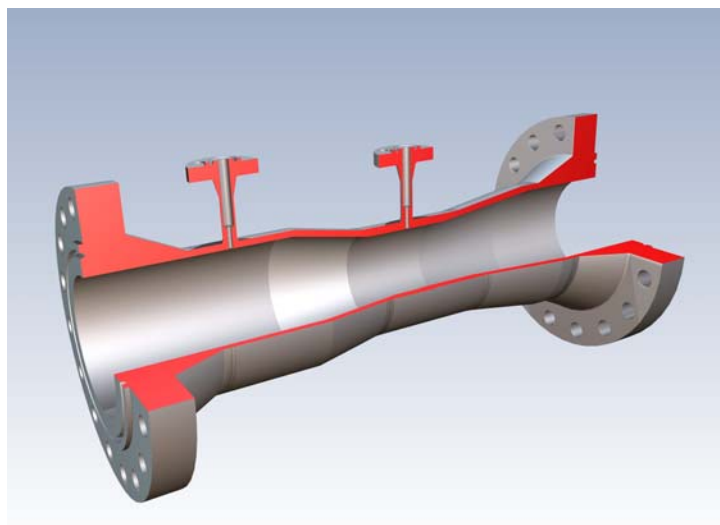


### Principle

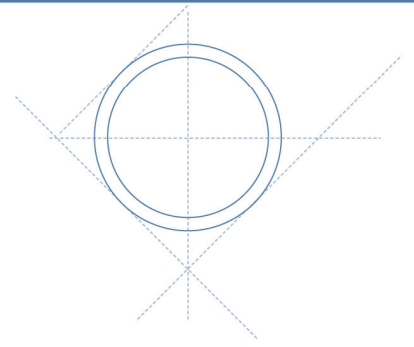
EMCO classical venturi tubes are used as primary elements in flow measurement of steam, liquid and gas according to the differential pressure principle.

### Construction

Design Standards	: ISO 5167-4, ASME MFC-3M
Sizes	: DN 50 - 250 according to ISO 5167, 2" – 10" according to ASME, other sizes on request.
Beta (d/D)	: $0,4 \leq \beta \leq 0,75$
Pressure rating	: PN 10-640, 150-2500 lbs, ISO PN 20-420.
Material	: Carbon steel, AISI 316, Duplex, 254 SMO others on request.
Mounting style	: Weld ends according to DIN 2559 or ANSI B16.25. Flanges acc. to DIN or ANSI B16.5 standards or Grayloc Clamp connections.
Pressure taps	: Weld ends $\varnothing$ 21.3 mm, 26.9 mm, thread connection 3/8", 1/2" BSP, 1/2" NPT, or flanged.
Tappings	: Single pressure tappings or 2x4 tappings each arranged with an external annular ring to equalise the pressure.
Outlet cone	: 7 – 15 °



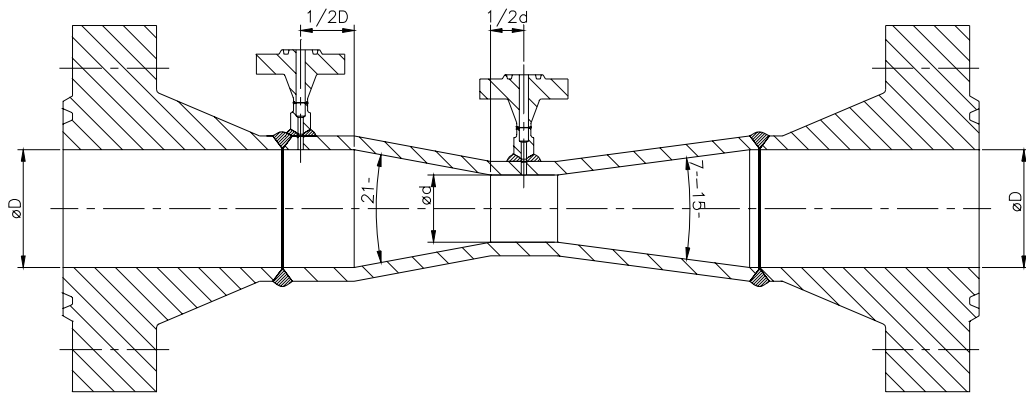
0-06-017-3



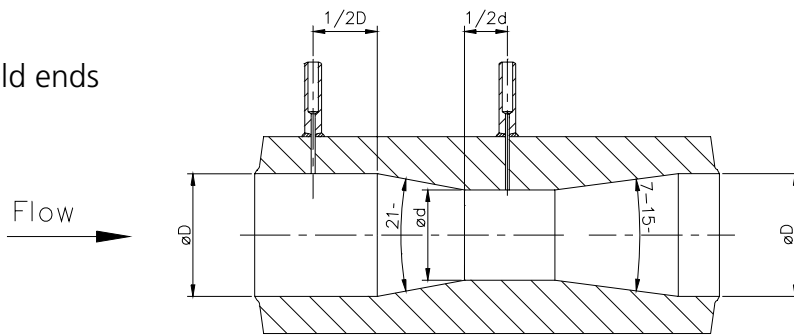
### Technical Data

- Accuracy : 1 % (according to ISO 5167)
- Pressure loss : Depending on outlet cone between 10 - 15 % of the differential pressure measured
- Limits for Re. No. :  $2 \times 10^5 < ReD < 2 \times 10^6$  according to ASME
- Accessories : Shut-off valves and condensing chambers for steam flow.

### Flanged



### Weld ends



### Clamp connection

