

**NEW**  
from the mass flow experts

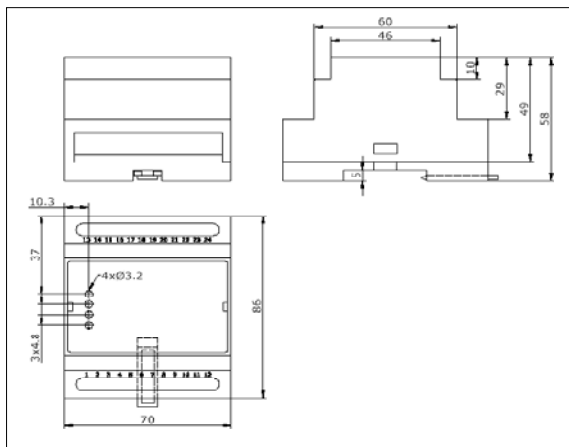
**RHEONIK**

# RHE 15 - PROFIBUS DP MODULE

The PROFIBUS DP solution from Rheonik - it equips Rheonik transmitters RHE14 and RHE12 with PROFIBUS functionality and more ...



Weight: approx. 200 gr. / 0.44 lb



## FEATURES

- Compact plastic housing
- DIN rail mounting
- PROFIBUS baudrate up to 1,5 MB/s
- Optional pulse input (active / passive)
- Optional 3 analog inputs (passive)
- Temperature range: -40 to +65°C
- Protection class: IP 20
- Setting via PROFIBUS DP (master) or via RS 232 (terminal program)
- Dip switch for bus termination by appropriate resistors

## DETAILS

|                   |  |
|-------------------|--|
| Housing:          | PC / PPO   |
| Protection class: | IP 20  |
| Dimensions:       | 70 x 86 x 58 mm<br>2.76 x 3.39 x 2.28"                   |
| Power supply:     | 8-26 VDC<br>85-250 V with additional module              |
| Power consump.:   | 2-3 W  |
| Op. temperature:  | -40 to +65°C<br>-40 to +149°F                            |
| Inputs:           | RHE12/14 via RS232                                       |
| Optional inputs:  | 1 pulse (active / passive)<br>3 analog inputs (0/4-20mA) |

## ORDER CODE

RHE 15 T1 D1 N/I

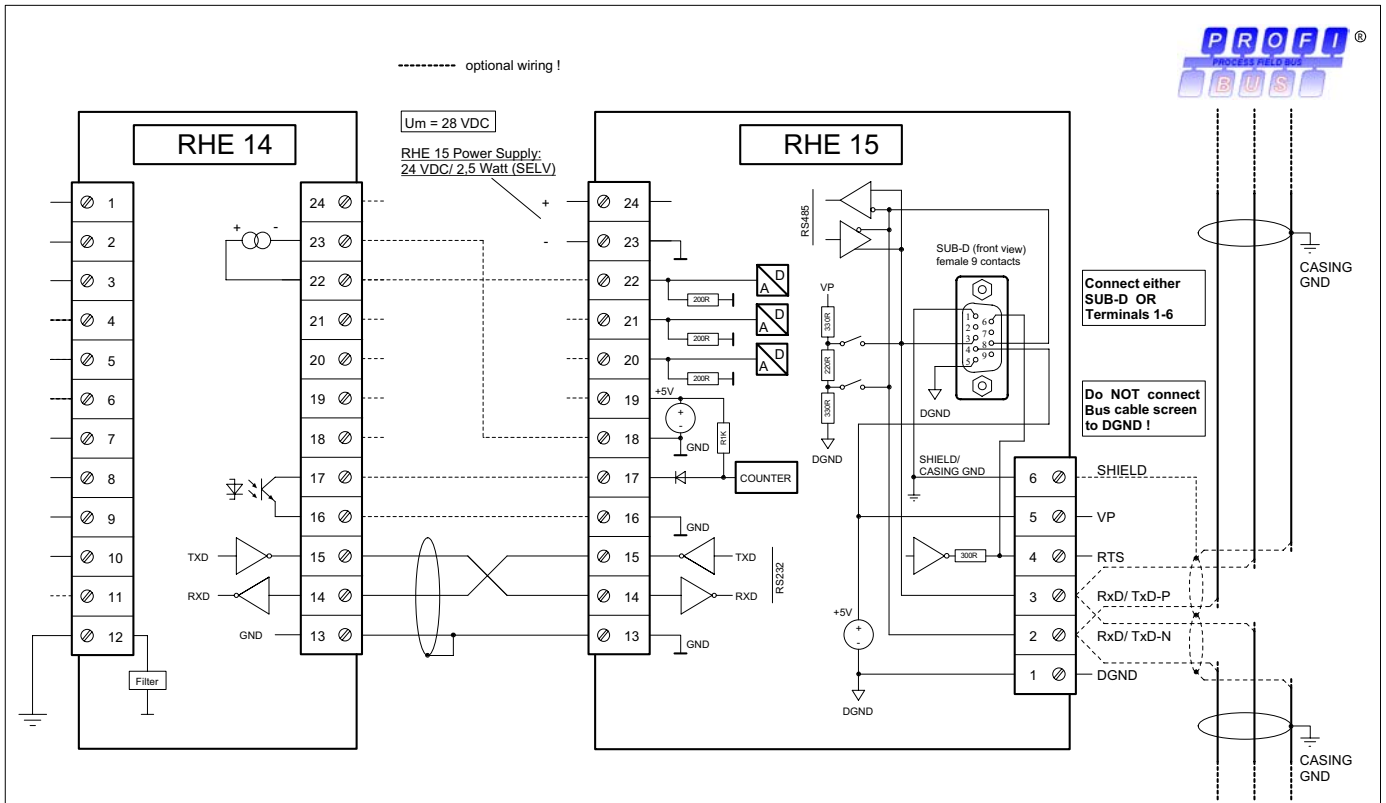
Standard Version

8 - 26 VDC Power Supply

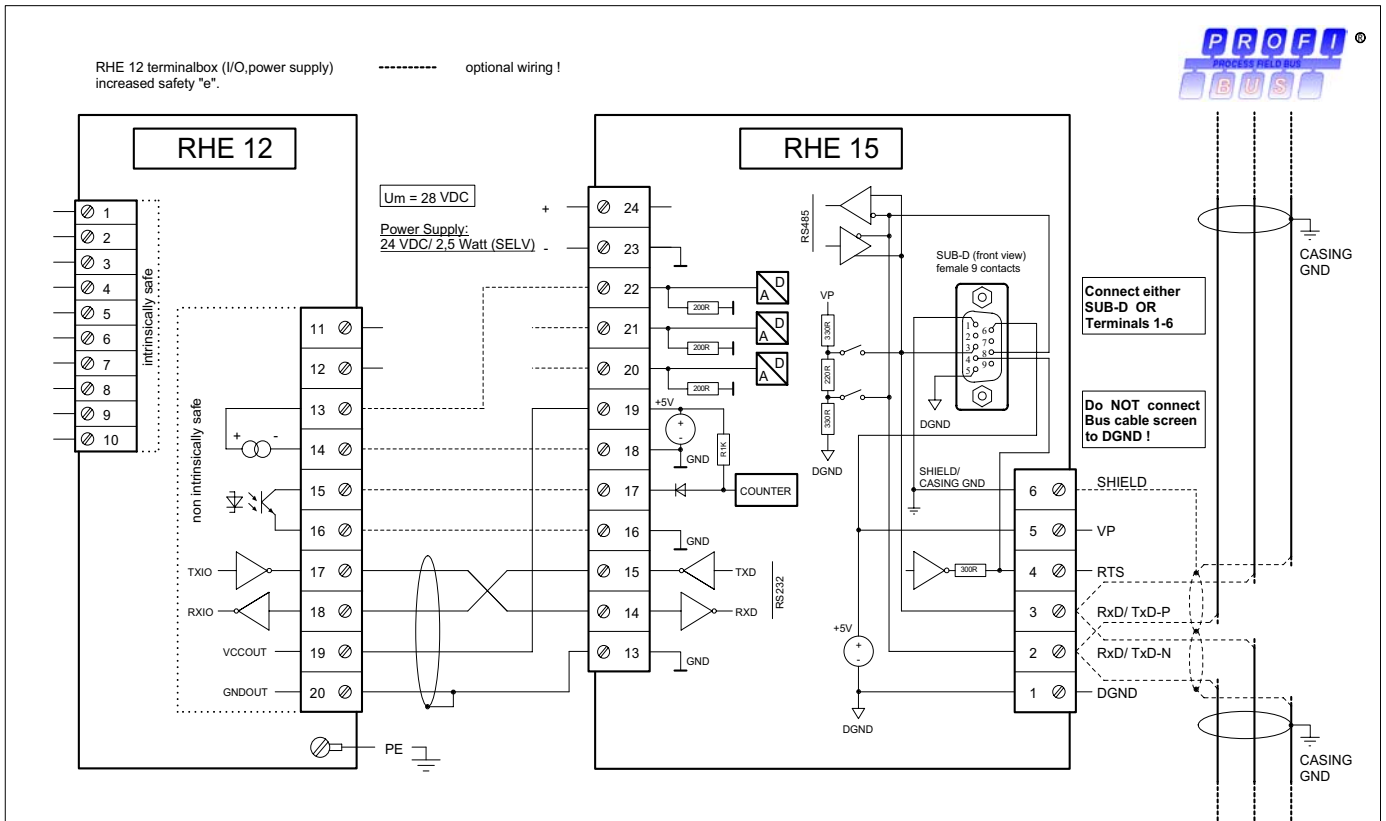
(N): No special functions

(I): Inputs for optional signals

[www.rheonik.com](http://www.rheonik.com) - the mass flowmeter experts



|                                   |                |              |                |
|-----------------------------------|----------------|--------------|----------------|
| created :                         | <b>RHEONIK</b> | Project      |                |
| Date 23.10.2006                   |                | Customer     |                |
| Drawn H.G.Rudolph                 |                | Draw. - Rev. | E15_14W-E_v1_0 |
| Appr. M. Küppers                  |                | Sheet        | 1 / 1          |
| Wiring diagram RHE 15 with RHE 14 |                |              |                |



|                                   |                |              |                |
|-----------------------------------|----------------|--------------|----------------|
| created :                         | <b>RHEONIK</b> | Project      |                |
| Date 23.10.2006                   |                | Customer     |                |
| Drawn H.G.Rudolph                 |                | Draw. - Rev. | E15_12W-E_v1_0 |
| Appr. M. Küppers                  |                | Sheet        | 1 / 1          |
| Wiring diagram RHE 15 with RHE 12 |                |              |                |